

5013

Print position

1. FRONT
2. BACK
3. FRONT

Printing size (mm)

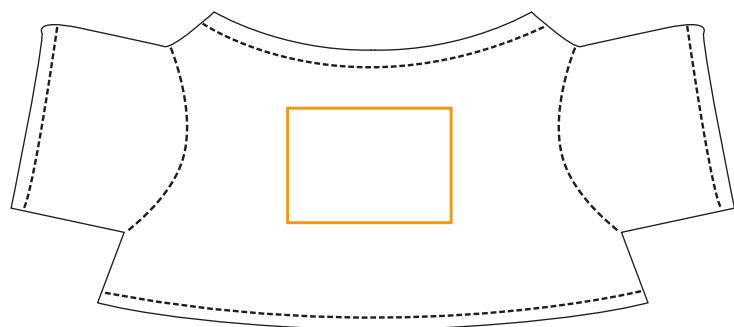
- 50 mm x 35 mm
- 70 mm x 35 mm
- 50 mm x 35 mm

Printing code

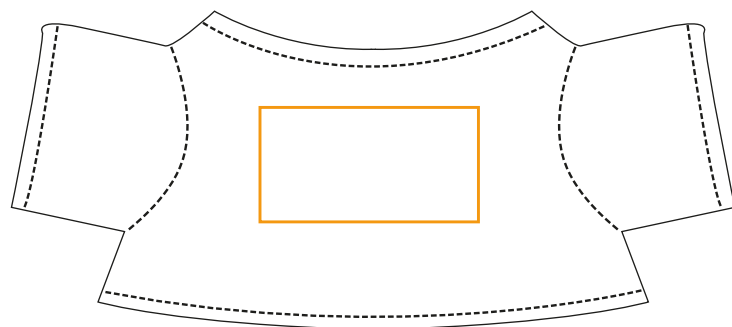
- TSB
- TSB
- TR50

Handlingcode

- HKE
- HKE
- HKE



1 + 3. FRONT



2. BACK